

**FOAMGLAS<sup>®</sup>**

Pittsburgh Corning

**FOR UNDERGROUND AND  
DIRECT BURIAL APPLICATIONS**

# FOAMGLAS® Insulation by Pittsburgh Corning



Pittsburgh Corning Corporation has been actively involved in underground insulation systems for over 50 years. The Company manufactures FOAMGLAS® cellular glass insulation, an excellent insulating material for direct burial or underground piping systems.

Pittsburgh Corning Corporation personnel can provide installation advice and training for personnel installing our products.

## Contents

|   |   |
|---|---|
| FOAMGLAS® Insulation.....                     | 2 |
| Direct Burial Insulation System .....         | 3 |
| Flexible PITTWRAP® Insulation Jacketing ..... | 5 |
| Specifications.....                           | 6 |
| Typical Insulation Details.....               | 8 |

FOAMGLAS® insulation is a lightweight, rigid material composed of millions of completely sealed glass cells. Each cell is an insulating space. FOAMGLAS® insulation is all glass ... completely inorganic ... no binder, no fillers.

FOAMGLAS® insulation is an impermeable, noncombustible, cellular glass insulation that provides long life, easy installation and low maintenance in piping, vessel and equipment applications.

FOAMGLAS® insulation is successfully performing in virtually every major process industry.

FOAMGLAS® insulation is manufactured in block form, then cut, tapered or shaped as required. All products are available through, and may be fabricated by, Pittsburgh Corning authorized Industrial Distributors. It is also very simple to reshape FOAMGLAS® insulation on the job site. No special tools are required.

In addition, Pittsburgh Corning offers a full line of complementary accessory products, each laboratory- and service-proven to provide maximum performance specifically with FOAMGLAS® cellular glass insulation.

### FOAMGLAS® Insulation Certifications\*

- ASTM C 552, "Specification for Cellular Glass Block and Pipe Thermal Insulation"
- Canadian Government Specifications Board, 51-GP-38
- Military Specification MIL-I-24244, "Insulation Materials, Thermal, with Special Corrosion and Chloride Requirements"
- Nuclear Regulatory Guide 1.36
- ISO 9002 Certification

### Approvals

FOAMGLAS® insulation is approved for use according to:

- General Services Administration, PBS (PCD): Public Building Service 15250, Guide Specification, "Thermal Insulation (Mechanical)"

\* Written request for certificate of compliance must accompany order.



# The Ideal Underground Insulation System

The ideal insulation system must be capable of meeting the mechanical and corrosion resistance requirements of direct burial while providing long-term insulation efficiency. Ignoring these basic considerations may result in problems.

The direct burial of insulated pipelines is often the most practical method of installing underground piping systems. This method eliminates the need for costly tunnels and speeds the installation of the piping system.

The FOAMGLAS® Insulation System consists of FOAMGLAS® cellular glass insulation and flexible PITTWRAP® jacketing. It is the ideal system for direct burial underground.



FOAMGLAS® insulation's excellent compressive strength permits direct underground burial.

FOAMGLAS® insulation is:

- Highly resistant to soil moisture in liquid or vapor form
- Unaffected by soil acids
- Chemically inert
- Strong enough for direct burial with no protective tunnels needed

On hot, buried systems located in a high water table area, improperly sealed systems may allow moisture entry into the system. High temperature water or steam in long-term contact with FOAMGLAS® insulation will result in chemical attack with a gradual penetration of the insulation cells.

The success of a direct burial system will depend to a great extent upon the system chosen, proper design and proper installation. Some of the key considerations which should be addressed by the design professionals prior to selecting a particular insulation system are:

- Type of system: chilled water, hot water, steam or other
- Operating temperatures of all pipes, constant or cycling
- Pipe length, diameter, spacing, burial depth, number and nature of runouts

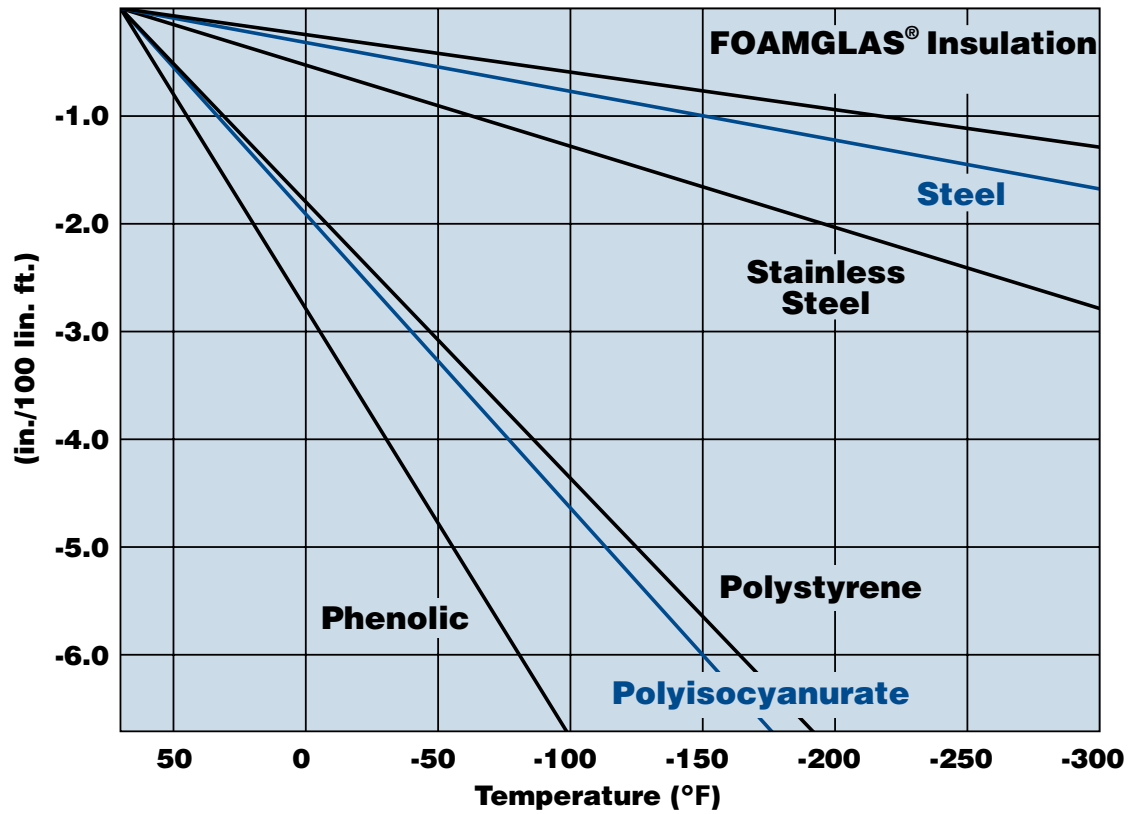
- Soil type, bearing strength, electrical potential
- Location of water table
- Control of expansion/contraction (see Figures 1 and 2 for typical expansion/contraction values of various metals)
  - number of expansion loops and their size
  - number of ells or zees
  - number of expansion bellows, size
  - number of guides and location
  - number of anchors and location
- Manhole location, size, material, connections
- Other conditions
  - road crossing
  - depth below road
  - traffic loads
  - will any portion of line be in tunnels or above ground
  - other utilities near or crossing line

**Table 1: Physical and Thermal Properties of FOAMGLAS® ONE™ Insulation**

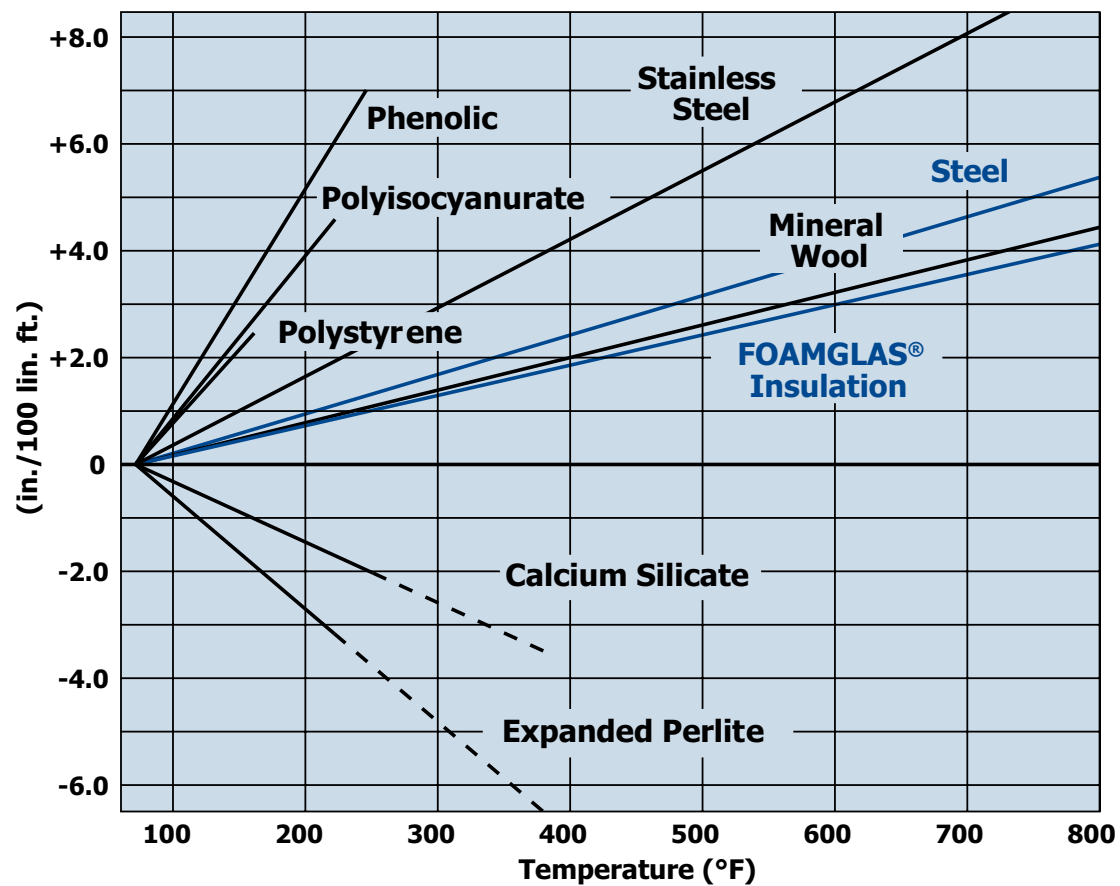
| PHYSICAL AND THERMAL PROPERTIES OF FOAMGLAS® ONE™ INSULATION             |   |  |                                    |   |
|--|---|--|------------------------------------|---|
| PHYSICAL PROPERTIES  | ASTM  |  |                                    | EN ISO  |
|  | SI  | ENGLISH  | Method                             | Method  |
| Absorption of Moisture (Water % by Volume)                               | 0.2%  | 0.2%   | C 240                              | EN 1609<br>EN 12087   |
| Only moisture retained is that adhering to surface cells after immersion |   |  |                                    |   |
| Water-Vapor Permeability   | 0.00 perm-cm  | 0.00 perm-in                                   | E96<br>Water Method<br>Procedure B | EN 12086<br>EN ISO 10456  |
| Acid Resistance  | Impervious to common acids and their fumes except hydrofluoric acid     |  |                                    |   |
| Capillarity  | None  |  |                                    |   |
| Combustibility & Reaction to Fire  | Noncombustible - will not burn<br>Flame Spread 0<br>Smoke Development 0 |  | E 136<br>E 84                      | EN ISO 1182<br>(Class A1)   |
| Composition  | Soda-lime silicate glass -- inorganic with no fibers or binders         |  |                                    |   |
| Compressive Strength, Block  | 620 kPa<br>Strength for flat surfaces<br>capped with hot asphalt.       | 90 psi   | C 165<br>C 240<br>C 552            | EN 826<br>Method A  |
| Density  | 120 kg/m³   | 7.5 lb/ft³                                     | C 303                              | EN 1602   |
| Dimensional Stability  | Excellent—does not shrink, swell or warp                                |  |                                    | EN 1604<br>(DS 70/90)   |
| Flexural Strength, Block   | 480 kPa   | 70 psi   | C 203<br>C 240                     | EN 12089<br>(BS450)   |
| Hygroscopicity   | No increase in weight at 90% relative humidity                          |  |                                    |   |
| Coefficient of Linear Thermal Expansion                                  | 9.0 x 10⁻⁶/K<br>25°C to 300°C   | 5.0 x 10⁻⁶/°F<br>75°F to 575°F                 | E 228                              | EN 13471  |
| Maximum Service Temperature  | 482° C<br>900° F  |  |                                    |   |
| Modulus of Elasticity, Approx.   | 900 MPa   | 1.3 x 10⁵ psi                                  | C 623                              | EN 826<br>Method A1   |
| Thermal Conductivity   | W/mK<br>0.040 @ 10°C<br>0.042 @ 24°C                                    | Btu-in/hr.ft².°F<br>0.28 @ 50°F<br>0.29 @ 75°F | C 177<br>C 518                     | EN 12667<br>EN 12939<br>(λ <sub>90(90/90)</sub> ≤ 0.041 W/mK @ 10° C) |
| Specific Heat  | 0.84 kJ/kg.K<br>0.18 Btu/lb.°F  |  |                                    |   |
| Thermal Diffusivity  | 4.2 x 10⁻⁷ m²/sec<br>0.016 ft²/hr                                       |  |                                    |   |

Note: FOAMGLAS® ONE™ is manufactured to meet or exceed the minimum requirements of ASTM C552 Standard Specification for Cellular Glass Insulation (or most recent revision). Unless otherwise specified, measurements were collected using ASTM guidelines at 24°C (75°F) and are average or typical values recommended for design purposes and not intended as specification or limit values. Values under EN ISO are declared as limit values under the specific set of standard test conditions. Properties may vary with temperature. Where testing method or reporting values differ between ASTM and EN ISO methodologies, values are denoted within parentheses in the EN ISO column.

**Figure 1: Thermal Contraction of Insulations versus Steel (70°F to -300°F)**



**Figure 2: Thermal Expansion/Contraction of Insulations versus Steel (70°F to 800°F)**





# Flexible PITTWRAP® Insulation Jacketing

The insulation system consists of FOAMGLAS® cellular glass insulation and flexible PITTWRAP® jacketing.

FOAMGLAS® insulation is impermeable to moisture, unaffected by soil acids, chemically inert and strong enough for direct burial with no protective tunnels needed.

PITTWRAP® jacketing provides a waterproof membrane against most soil and water conditions, and has the resiliency to perform in direct burial applications.

FOAMGLAS® insulation systems do not require cathodic protection.

## Jacketing

PITTWRAP® jacketing is a 125 mil (3.2 mm) thick heat-sealable, multi-ply laminate for protecting underground FOAMGLAS® systems with outer surface temperatures below 190°F (87.7°C). PITTWRAP® jacketing consists of

three layers of a polymer-modified, bituminous compound separated by glass reinforcement and aluminum foil.

An outer layer of polyester film is laminated to the bituminous compound. Release paper prevents sticking in the roll before use. PITTWRAP® jacketing may also be factory-applied on the insulation.

PITTWRAP® SS jacketing is a 70 mil (1.8 mm) thick self-sealing, modified bituminous membrane for protecting underground FOAMGLAS® insulation systems with outer surface temperatures below 170°F (76.7°C). Manual pressure seals the jacketing without the use of a torch or heater. PITTWRAP® SS jacketing may also be factory-applied on the insulation.

PITTWRAP® SS jacketing consists of a polymer-modified, bituminous compound reinforced with a woven glass fabric and a 1 mil (0.03 mm) aluminum top film and release paper backing.

PITTWRAP® CW Plus jacketing is a 50 mil (1.3 mm) thick self-sealing, modified bituminous membrane for protecting underground FOAMGLAS® insulation systems on chilled water piping and for piping that is insulated for freeze protection. Manual pressure seals the jacketing without the use of a torch or heater. PITTWRAP® CW Plus jacketing may also be factory-applied on the insulation.

PITTWRAP® CW Plus jacketing consists of a polymer-modified, bituminous compound reinforced with a glass fabric and a 1 mil (0.03 mm) aluminum top film and release paper backing.



**Table 2: Physical Properties of PITTWRAP® jacketings<sup>1</sup>**

| Physical Properties  | PITTWRAP® jacketing  | PITTWRAP® SS jacketing | PITTWRAP® CW PLUS jacketing |
|--|----------------------|------------------------|-----------------------------|
| Color  | Black                | Rose                   | Silver                      |
| Thickness: mm (mils)   | 3 (125)              | 1.78 (70)              | 1.27 (50)                   |
| Weight: kg/m <sup>2</sup> (lbs./ft <sup>2</sup> )                        | 3.2-3.4 (0.66-0.69)  | 2.35 (0.48)            | 1.56 (0.32)                 |
| Width: cm (in.)  | 59.4 (23.4)          | 60 (23.5)              | 60 (23.5)                   |
| Roll Length: m (ft.)   | 15.24 (50)           | 15.24 (50)             | 22.86 (75)                  |
| Roll Area: m <sup>2</sup> (ft <sup>2</sup> )                             | 9.3 (100)            | 9.1 (98)               | 13.6 (147)                  |
| Tensile Strength: kg/cm width (lbs./in. width)                           | 23 (165)             | 18 (100)               | 8.9 (50)                    |
| Service Temp. Limits: (on outside of insulation) °C (°F) Minimum/Maximum | -7 (20) / 88 (190)   | -32 (-25) / 77 (170)   | -32 (-25) / 60 (140)        |
| Minimum Application Temperature, °C (°F) Without primer/With primer      | -7 (20) <sup>2</sup> | 10 (50) / -7 (20)      | 10 (50) / -7 (20)           |
| Resistance to Soil Acids   | Good                 | Good                   | Good                        |
| Permeability (ASTM E 96) ng/Pa•s•m (perm-inch)                           | 0.003, (0.002)       | 0.003, (0.002)         | 0.003, (0.002)              |

<sup>1</sup> Properties subject to change. Consult Pittsburgh Corning.  
<sup>2</sup> Primer is not used with PITTWRAP® jacketing



# Specifications for FOAMGLAS® Insulation on Underground Direct-Buried Piping Systems (Chilled Water, Hot Water, Steam)

This specification has been prepared by Pittsburgh Corning Corporation using generally accepted and appropriate technical information, but it is not intended to be solely relied upon for specific design or technical applications. Having no control over the elements of design, installation, workmanship or site conditions, Pittsburgh Corning assumes that the actual design choices and installation will be made by persons trained and qualified in the appropriate disciplines. Therefore, Pittsburgh Corning disclaims all liability potentially arising from the use or misuse of this specification.

## Design Precautions

There are situations which require special design consideration. Contact Pittsburgh Corning for proper procedures to accommodate these situations:

Direct exposure to:

- A. Hydrofluoric acid or strong caustics.
- B. Water during freeze-thaw cycling.
- C. Condensing steam and water vapor at or above 140°F.
- D. Hot phosphoric acid.

## Part 1—General

Applications subject to continuous submersion in water may require a different specification. Provision for thermal expansion must be made in the form of loops, ells, zees or mechanical couplings. Both conditions shall be determined and provided for by the engineer or design professional.

All insulation materials shall be stored in an area protected from the weather and kept dry before and during applications.

All piping shall be cleaned of foreign substances and free of surface moisture prior to and during the application of insulation.

Make certain that all weld beads are ground smooth with the surface of the pipe prior to application of the insulation.

At the option of the engineer, the pipe may be primed with a rust-inhibiting paint or other protective coating.

## Part 2—Products

### 2.1 Insulation

FOAMGLAS® insulation, ASTM C 552, "Spec. for Cellular Glass Thermal Insulation," \_\_\_\_\_ thick, by Pittsburgh Corning Corporation.

### 2.2 Jacketing

PITTWRAF® jacketing (FI-209), PITTWRAF® SS jacketing (FI-179A) or PITTWRAF® CW Plus jacketing (FI-234) supplied by Pittsburgh Corning Corporation. When specifying PITTWRAF® CW Plus or SS jacketings, also specify PITTSEAL® 727 (FI-255) sealant by Pittsburgh Corning.

### 2.3 Asphalt Coating

PITTCOTE® 300 Finish, by Pittsburgh Corning Corporation (product data sheet FI-120).

### 2.4 Reinforcing Fabric

PC® Fabric 79, Pittsburgh Corning Corporation (product data sheet FI-159).

### 2.5 Strapping Tape

Glass fiber-reinforced, 1" (25 mm) wide, Scotch brand #880 by 3M, or equal.

### 2.6 Bore Coating

Hydrocal® B-11, by U.S. Gypsum, or equal.

### 2.7 High-Temperature Sealant

PC® RTV 450 Silicone Adhesive—FI-244 (maximum temperature limit 400°F [204°C] continuous service).

## Part 3—Execution

### 3.1 Preparation

After the nominal system diameter is determined (pipe diameter plus insulation thickness), the trench shall be excavated to allow 6" (15 cm) minimum clearance in all directions around the final O.D. of the system.

The bottom of the trench shall be graded to the design slope of the piping and to provide uniform bearing along its entire length. Where wet or unstable soils are encountered, such soil shall be removed to a sufficient depth and the trench backfilled with coarse sand or loose granular earth.

This backfill shall be compacted to a density equal to that of the acceptable portions of the trench. Where excavation of rock is required, the rock shall be excavated to an overdepth of 6" (15 cm) minimum below the specified trench depth. Overdepths in rock shall be backfilled with loose granular earth or coarse sand and thoroughly tamped.

In areas of high water table, adequate drainage shall be provided by a gravel bed and a perforated drain pipe covered with synthetic drainage fabric to prevent clogging. The pipe shall lead to a sump provided with means to remove water from the trench area.

Such conditions shall be determined and provided for by the engineer or design professional.

All insulated piping shall rest in a 6" (15 cm) layer of compacted sand. Excavation shall be kept free of standing water during insulation and jacketing application.

Note: Where excessive or cyclical movement is anticipated, the bore of FOAMGLAS® insulation shall be coated with a thin application of bore coating and allowed to dry before insulation is applied to the pipe.

### 3.2 Insulation Application

FOAMGLAS® insulation and PITTWRAF® jacketing shall be applied to piping in 10' segments (maximum length). After completion, the segments are rotated 180° and the bottom of the jacketing and butt strips are inspected for proper application and sealing. If any defects are visible, they must be corrected. Major defects may require removal of jacketing. Assuming proper jacketing and sealing, the segments are rotated back into position and the connecting butt strips are applied.

- A. Field jacketed insulation—staggered joints: the last section of FOAMGLAS® pipe covering the 10' segment is cut even to form a through joint between completed segments.
- B. Large diameter piping: shorter segments can be insulated and jacketed if more practical.
- C. Abrasion: insulation sections for large diameter piping will have to be bore coated.
- D. Special considerations—anchors, guides, expansion loops, elbows, etc.: the completed insulated segment is rotated and inspected before installing the connecting section of insulation at the anchors, guides, expansion loops, elbows, etc. These procedures are not to be used on oversized insulation.

#### 3.2.1 Field-Jacketed

Field-jacketed FOAMGLAS® insulation shall be applied to the piping with butt joints staggered and tightly butted. Longitudinal and butt joints shall be left dry. All joints shall be tightly fitted to eliminate voids by refitting or replacing sections of insulation. Each section of insulation shall be held in place by two wraps of strapping tape with a 50% overlap per wrap. For double-layer applications, the second layer of FOAMGLAS® insulation shall be applied in a manner similar to the first, with all joints staggered between layers.

#### 3.2.2 Factory-Jacketed

FOAMGLAS® insulation which has been pre-jacketed with PITTWRAF® jacketing shall be applied joint-to-joint with all joints tightly butted. Strapping tape may be used over the jacketing to temporarily secure the insulation until longitudinal laps are sealed and butt strips applied. See Section 3.3 and appropriate data sheet for details for sealing PITTWRAF® jacketing laps and butt strip application.

### 3.2.3 Pre-Insulation of Pipe

Where conditions permit, FOAMGLAS® insulation and jacketing may be applied outside of the trench to sections of piping. Pipe lengths should be insulated in segments. Length of insulation segment should not exceed 10' (3 m). Leave uninsulated spaces between segments to allow for placement of slings by which the pipe can be lowered into the trench. The use of a spreader bar with two slings or more is recommended. The quantity and location of sling placement shall be determined by the design professional to avoid excessive deflection, and facilitate proper control of the pipe length during transfer. After the sections of pipe are in place in the trench, and ends of the sections secured, insulation and jacketing shall be applied to the joint areas and uninsulated spaces that were not completed above ground. Adequate working space should be maintained for installation personnel.

### 3.3 Jacketing Application

Apply the specified jacketing in strict accordance with the appropriate product data sheet. Request Technical Data Letter #244 for quality control installation methods. Seal all overlaps and butt strips as noted in the product data sheet to ensure that ground water cannot penetrate the jacket system.

Note: In tunnels, manholes and pre-cast trenches where high ambient temperatures may exist, metal bands should be installed 12" on center of the jacketing exterior to control slippage of the overlap seal.

#### 3.3.1 Irregular Surfaces

At all irregular surfaces such as elbows, tees, fitting covers, etc., the PITTWRAP® jacketing shall be precut to fit the contour of the surface to which it is to be applied. Precut sections shall allow for 2" (5 cm) overlap. All laps shall be sealed.

In addition to sealing the PITTWRAP® jacketing on these irregular surfaces, a glove coat of the PITTCOTE® 300 coating shall be applied over the jacketing. First, carefully burn away the exterior plastic film on the PITTWRAP® jacketing. Then apply a glove coat of PITTCOTE® 300 coating. While still tacky, embed a layer of reinforcing fabric in the coating. After one hour, apply a second coat of PITTCOTE® 300 coating over the first coat. Total wet film thickness of the two coats should be 1/8" (3 mm) minimum.

As an alternative to the cutting and fitting of PITTWRAP® jacketing on fittings, a five-layer application of PITTCOTE® 300 coating may be used. The coating shall be applied in accordance with the procedures found in product data sheet FI-120, in alternating

layers of mastic, reinforcing fabric, mastic, mastic fabric and mastic, totaling five layers. Total wet film thickness shall be 1/4" (6 mm) minimum.

If backfilling takes place less than 24 hours after PITTCOTE® 300 coating is applied, roofing felt shall be placed over the coating before backfilling.

Ends and bore of insulation left exposed at day's end shall be sealed between the insulation and the pipe with PITTCOTE® 300 coating to prevent bulk water entry.

All completed work shall be backfilled as soon as possible to prevent damage to the insulation system.

### 3.4 Special Consideration

3.4.1 Anchors/Guides Size of concrete anchors and guide blocks and locations of each shall be determined by the engineer or design professional. Anchors shall be continuously welded to the carrier pipe. When sizing anchors, coefficient of friction for FOAMGLAS® insulation is an average of 0.6.

It is common engineering practice to locate line guides on both sides of an expansion loop, zee or expansion joint. The line guide ensures that the thermal expansion is properly directed into the expansion mechanism.

Butt ends of insulation in contact with anchor and/or guide plates shall be sealed continuously to plates with high-temperature sealant.

Diameter of pipe sleeve guides shall be a maximum of 1/4" (6 mm) greater in diameter than the diameter of the pipe.

#### 3.4.2 Wall Penetrations

The piping system should be designed so that no movement occurs at the penetrations except for manholes containing expansion couplings. All other movement should be accommodated by expansion loops or at changes of direction.

Prime all concrete surfaces at penetrations before applying asphalt coating.

#### 3.4.3 Expansion Provisions

Expansion loops, ells, zeas and lead-off lines shall be insulated with oversize insulation. Inside diameter of the oversize insulation shall be the same as the exterior diameter of the straight run piping insulation. If the calculated pipe movement is greater than this allowance, contact Pittsburgh Corning Corporation. Oversize insulation shall be the same thickness as the straight run piping insulation, but not less than

2" (5 cm) thick. Oversize insulation shall overlap straight run insulation at least 9" (23 cm). All oversize insulation which provides for expansion shall be encased in concrete, a minimum of 3" (8 cm) thick around the insulation.

Concrete pad supports molded to fit inside the oversize insulation to center the pipe and to allow free movement shall be provided. Concrete support pads may be fabricated in the field or prefabricated. These supports should be cured a minimum of seven days prior to use in steam piping applications.

Alternatively, expansion joints may be used to accommodate expansion and are to be insulated. Expansion joints are common on pipes larger than 12" (30 cm) NPS. A sheet metal insulation support shall be provided to support the oversize insulation. If pipe insulation is not of sufficient thickness to allow sheet metal support to clear expansion joints, provide insulation collars of sufficient thickness and minimum 9" (23 cm) width to provide clearance.

**Spacing and design of guides, anchors and expansion provisions are the responsibility of the engineer or design professional.**

### 3.5 Field Quality Control

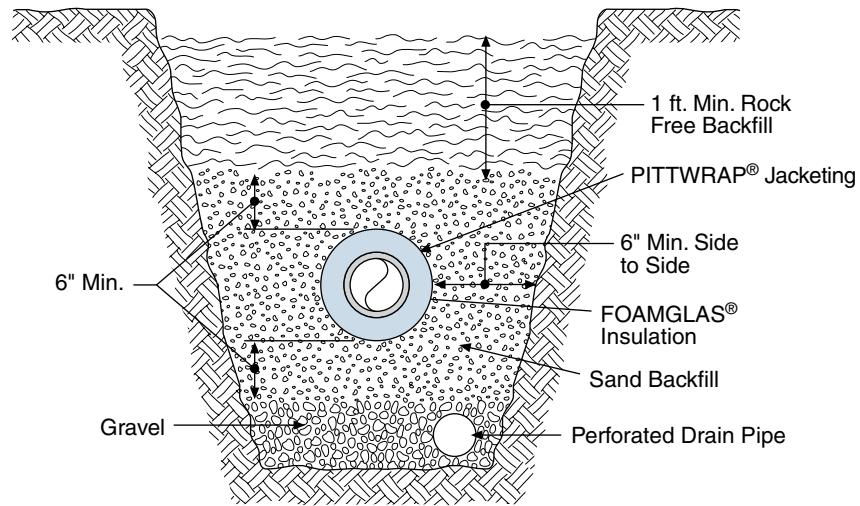
After application of the jacketing system to all straight and irregular sections of insulation, visually inspect all laps, seams, butt strips and glove-coated areas to ensure that these areas are sealed from water entry in accordance with the specifications and appropriate product data sheets.

### 3.6 Backfilling

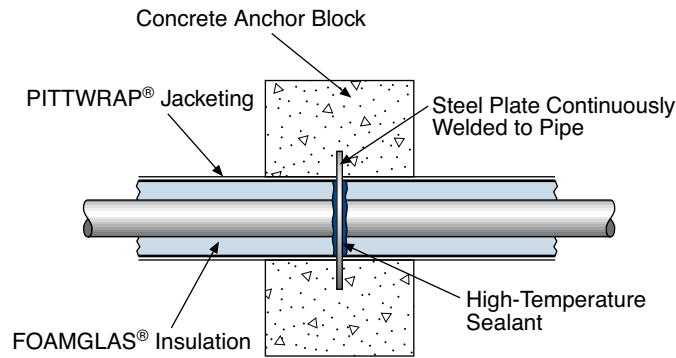
The trench shall be carefully backfilled using the excavated earth approved for backfilling, consisting of sand, clay, earth, loam or other approved materials. Sand backfill shall be placed within 6" (15 cm) of the insulated pipe and shall be free of rocks, debris or stones greater than 1/4" (6 mm) diameter. Care shall be taken not to damage the PITTWRAP® jacketing during backfilling. Backfill shall be applied in 6" (15 cm) lifts, tamping each lift until a depth of 1' (30 cm) over the insulated pipe is reached. The remainder of the trench shall be backfilled in 1' (30 cm) lifts, with each lift tamped to the desired compaction.



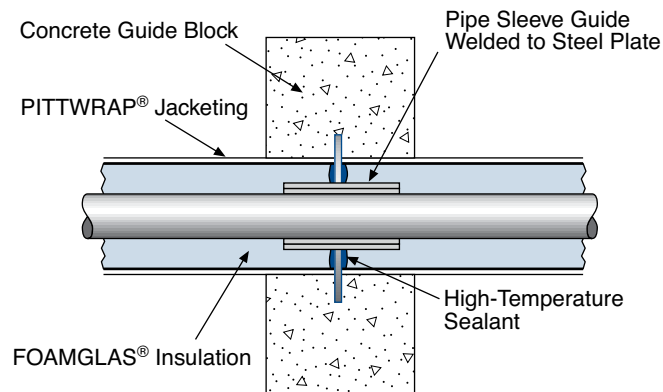
**Figure 3: Backfill Detail**



**Figure 4: Line Anchor\***



**Figure 5: Line Guide\***



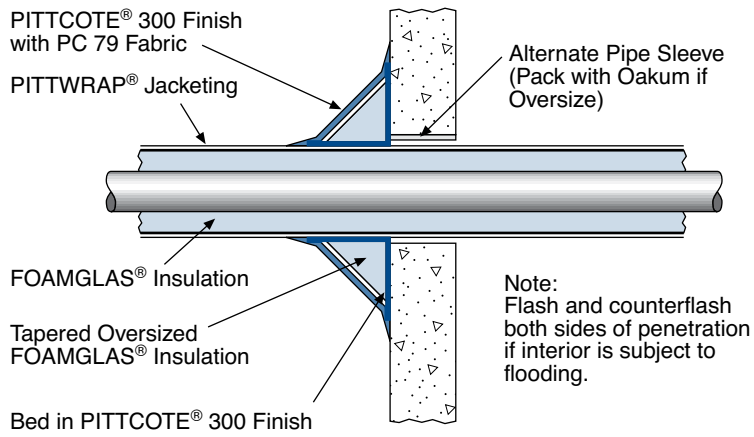
**Insulation Thickness Recommendations**

A detailed thermal analysis report giving thickness recommendations for single or multiple pipes, steady or transient conditions, and summer or winter environment can be provided by Pittsburgh Corning's Energy Analysis section. Contact any sales office or the Corporate Headquarters shown on the back cover.

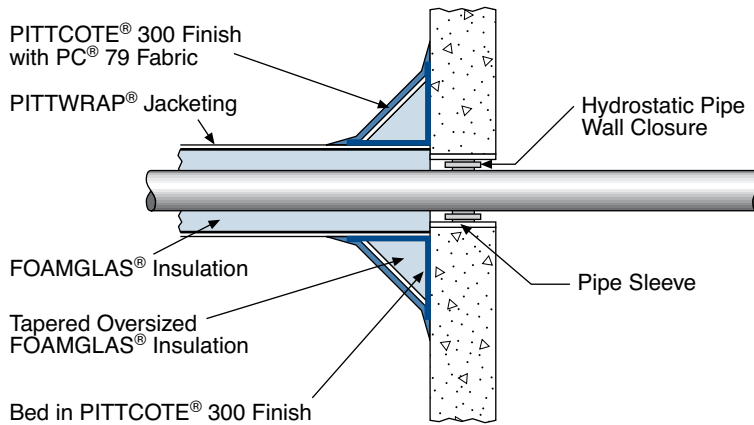
\*Size and location of anchors or guides and concrete block to be determined by design engineer.



**Figure 6: Wall Penetration**

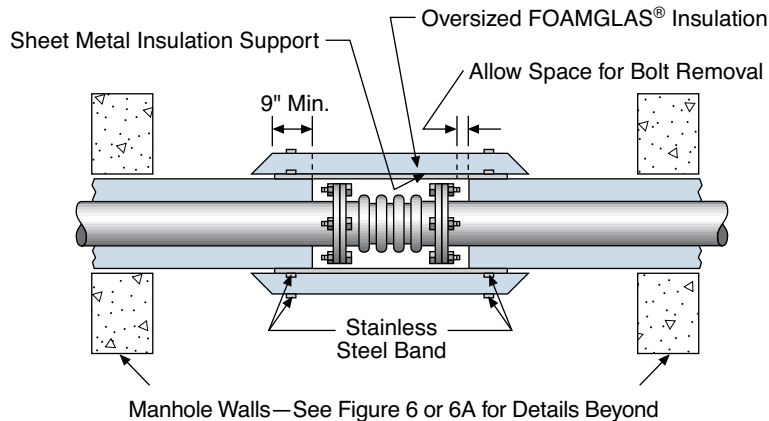


**Figure 6A: Wall Penetration (Alternate Method)**

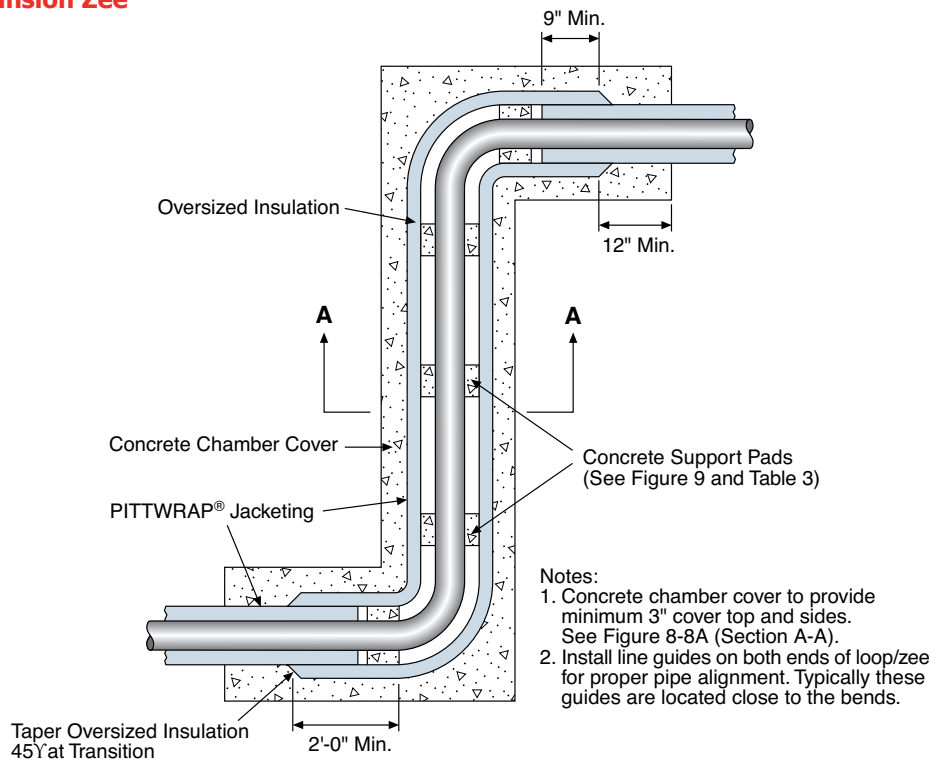


**Figure 7: Mechanical Expansion Contraction Device in Manholes**

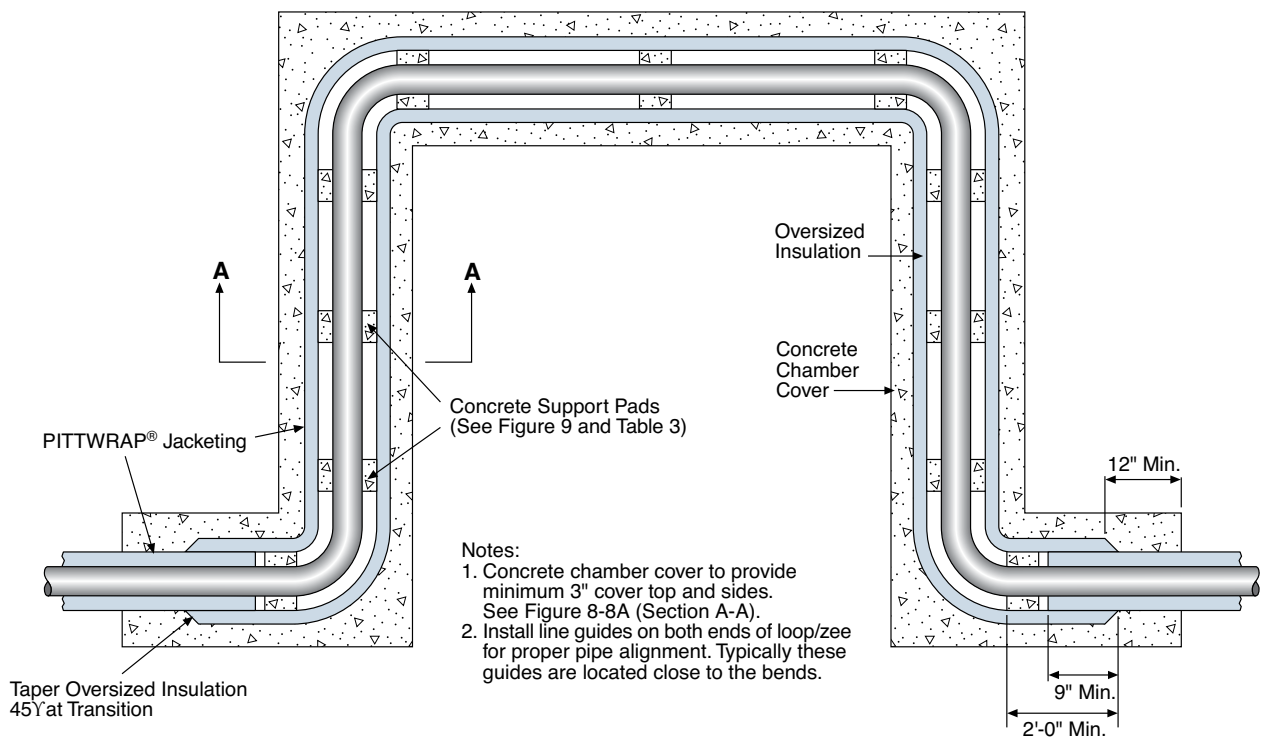
Notes: 1. Insulation may be left unjacketed in manhole to allow servicing of coupling.  
 2. Provide drainage for all manholes.



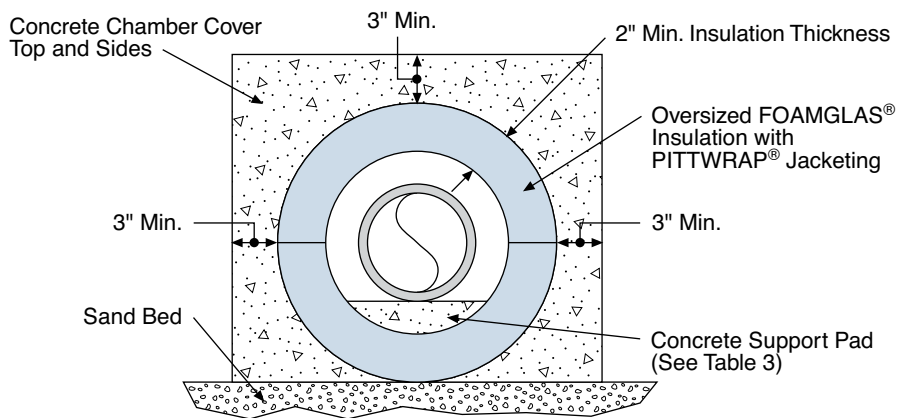
**Figure 8: Expansion Zee**



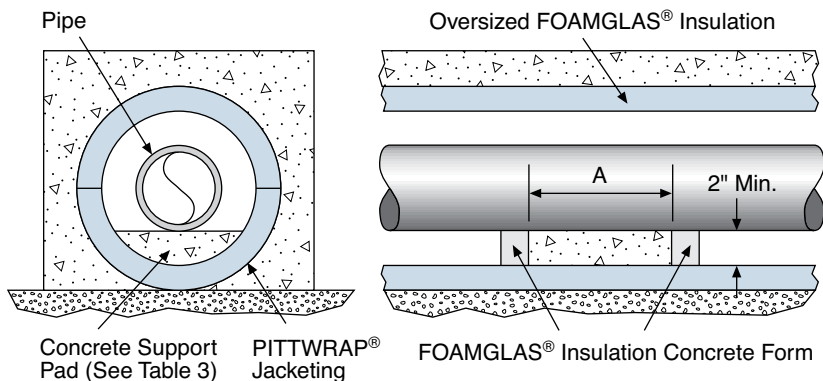
**Figure 8A: Expansion Loop**



**Figure 8-8A: Expansion Chamber Detail (Section A-A)**



**Figure 9: Oversized Insulation Pipe Support Detail**



**Table 3: Suggested Size and Spacing of Expansion Chamber Concrete Support Pads**

| Pipe Size        | Length of Pad (Dim. "A") | Max. O.C. Spacing |
|------------------|--------------------------|-------------------|
| Up to 3" NPS     | 6"                       | 8'-0"             |
| 4" NPS           | 6"                       | 8'-0"             |
| 5" NPS           | 12"                      | 8'-0"             |
| 6" NPS           | 12"                      | 6'-0"             |
| 8" NPS           | 12"                      | 4'-0"             |
| 10" NPS          | 12"                      | 3'-0"             |
| 12" NPS and Over | Continuous               | Good              |

Based on standard pipe filled with water. Minimum of two pads required at 90° turns.

The logo for FOAMGLAS, featuring the word "FOAMGLAS" in a bold, black, sans-serif font with a registered trademark symbol (®) to the upper right of the "S". The text is set against a light gray rectangular background. Below this background is a solid red horizontal bar.

**FOAMGLAS<sup>®</sup>**

[www.foamglas.com](http://www.foamglas.com)

The information contained herein is accurate and reliable to the best of our knowledge. But, because Pittsburgh Corning has no control over installation, workmanship, accessory materials or conditions of application, NO EXPRESS OR IMPLIED WARRANTY OF ANY KIND, INCLUDING THOSE OF MERCHANTABILITY OR FITNESS FOR A PARTICULAR PURPOSE, IS MADE as to the performance of an installation containing Pittsburgh Corning products. In no event shall Pittsburgh Corning be liable for any damages arising because of product failure, whether incidental, special, consequential or punitive, regardless of the theory of liability upon which any such damages are claimed. Pittsburgh Corning provides written warranties for some of its products, and such warranties take precedence over the statements contained herein.

Protecting Companies and Their People Worldwide  
Copyright ©2011 Pittsburgh Corning Corporation

The terms FOAMGLAS<sup>®</sup>, PITTWRAP<sup>®</sup>, PITTSEAL<sup>®</sup>, and PC<sup>®</sup> are registered trademarks owned by Pittsburgh Corning Corporation.